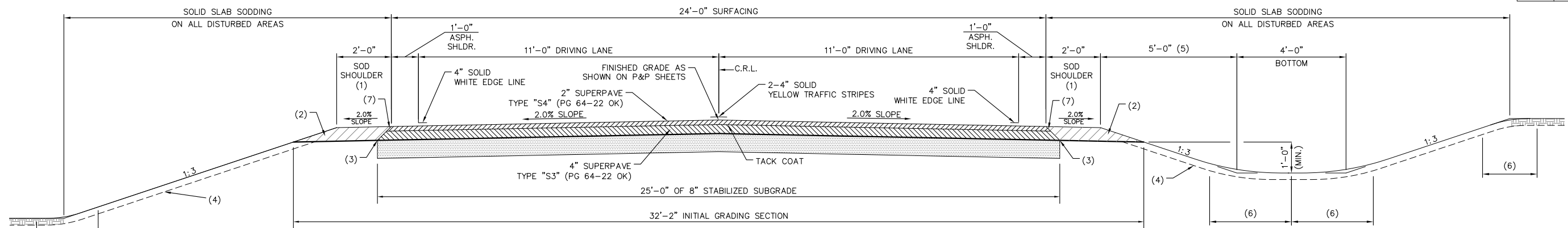


REVISIONS		
REV. NO.	DESCRIPTION	DATE
1	REVISED NOTE	10/06/17

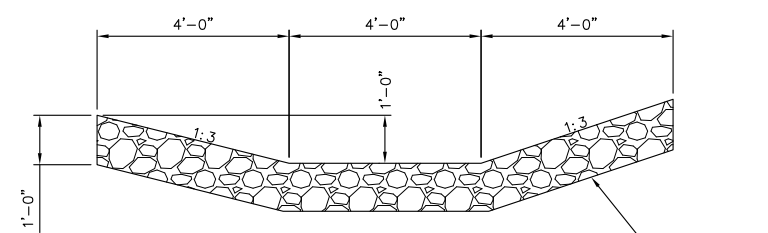


**TYPICAL GRADING AND SURFACING SECTION**

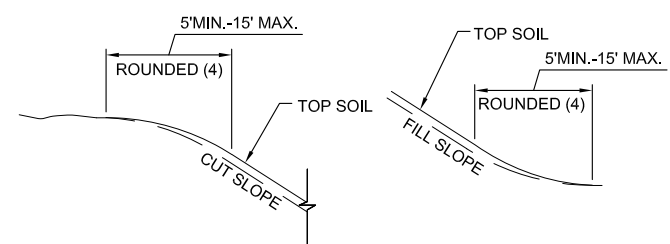
STATION 8+80.00 TO STATION 30+40.00 (TEXANNA ROAD)  
 STATION 100+00.00 TO STATION 104+00.00 (EW 114)  
 STATION 200+00.00 TO STATION 201+38.05 (NW 426)

**NOTES:**

- (1) WITHIN GUARDRAIL LIMITS, WIDEN ASPHALT PAVING SECTION TO EDGE OF GRADING SECTION.
- (2) SHOULDERS TO BE SHAPED OR FILLED AND COMPACTED AS PART OF FINISHING OPERATIONS. COST TO BE INCLUDED IN PRICE BID FOR UNCLASSIFIED BORROW.
- (3) PRIME COAT IS TO BE APPLIED IMMEDIATELY AFTER SUBGRADE MODIFICATION.
- (4) TOPSOIL NOTE:  
 THE CONTRACTOR SHOULD STRIP ALL AVAILABLE TOPSOIL, STOCK PILE IT, AND PLACE IT BACK ON THE SECTION IN ACCORDANCE WITH SECTION 205 OF THE STANDARD SPECIFICATION. RESERVED TOPSOIL SHALL BE SPREAD FIRST ON THE COMPLETED SLOPES OF THE CUT SECTIONS AND THE REMAINDER ON COMPLETED FILL SLOPES OR OTHER PRIORITY AREAS LOCATED BY THE ENGINEER. ALL ADDITIONAL COSTS ASSOCIATED WITH OPERATION SHALL BE INCLUDED IN THE PAY ITEM FOR SALVAGE TOPSOIL, LUMP SUM.  
  
 THE GRADING LINE AS SHOWN ON THE TYPICAL AND CROSS SECTIONS IS TO THE TOP OF THE TOPSOIL. EARTHWORK QUANTITIES WERE NOT ADJUSTED FOR SALVAGE AND THE TOPSOIL QUANTITY IS INCLUDED IN THE GRADING SUMMARY.
- (5) VARIES AT SPECIAL DITCH LOCATIONS.
- (6) SEE ROUNDING DETAIL, THIS SHEET
- (7) SAFETY EDGE NOTE: CONSTRUCT ASPHALT SAFETY EDGE AS SHOWN IN SPECIAL PROVISION 411-14

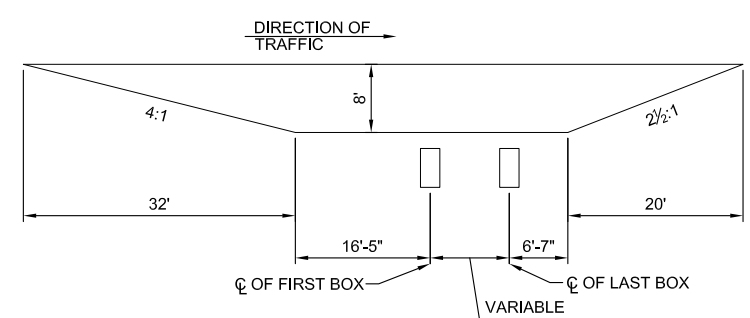


**DITCH TREATMENT DETAIL**  
(SEE SUMMARY OF DITCH TREATMENT)

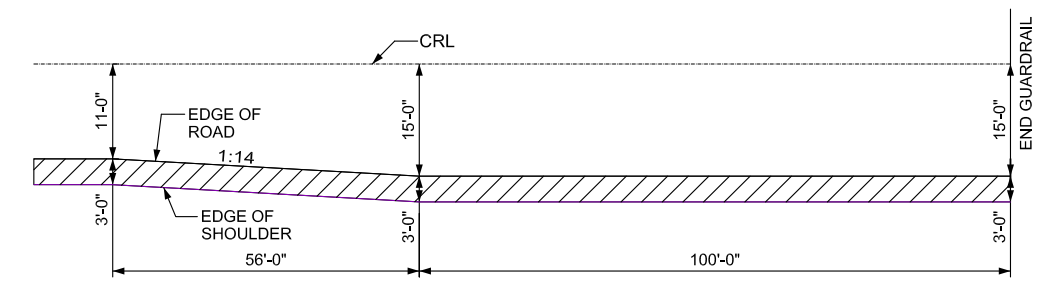


**ROUNDING DETAIL**

ROUNDING SHALL BE 5' MIN. TO 15' MAX. AT THE INTERSECTION OF CUT SLOPES WITH GROUND LINES, OR AS DESIGNATED BY THE ENGINEER. COST OF ROUNDING TO BE INCLUDED IN THE PRICE BID FOR OTHER ITEMS OF WORK.



**TYPICAL MAILBOX TURNOUT**



**GUARDRAIL WIDENING DETAIL**

NOT TO SCALE

NAAF34-CE02-1 - MCINTOSH-BR062-DRAWINGS\AF34-TYPICAL.DWG - 10/6/2017

DESIGN	GCS	EW115 TEXANNA CREEK <b>OKLAHOMA DEPARTMENT OF TRANSPORTATION</b>  <b>TYPICAL SECTION SHEET</b>  STATE JOB NO. 29374(04) SHEET NO. 0002
DRAWN	GLH	
CHECKED	GCS	
APPROVED		
SQUAD	KCS	